

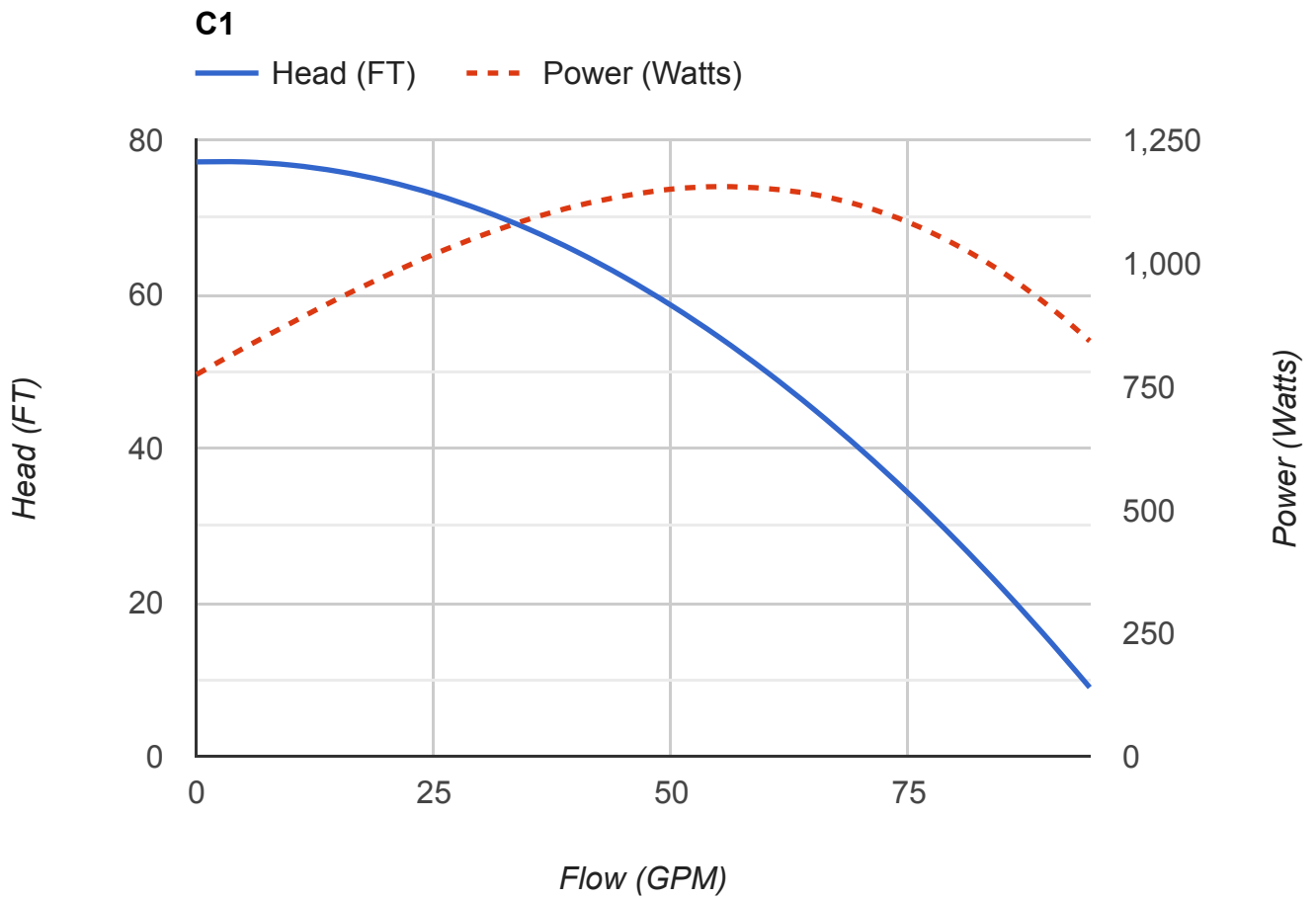
## PerformancePro Pumps Engineering Data Packet

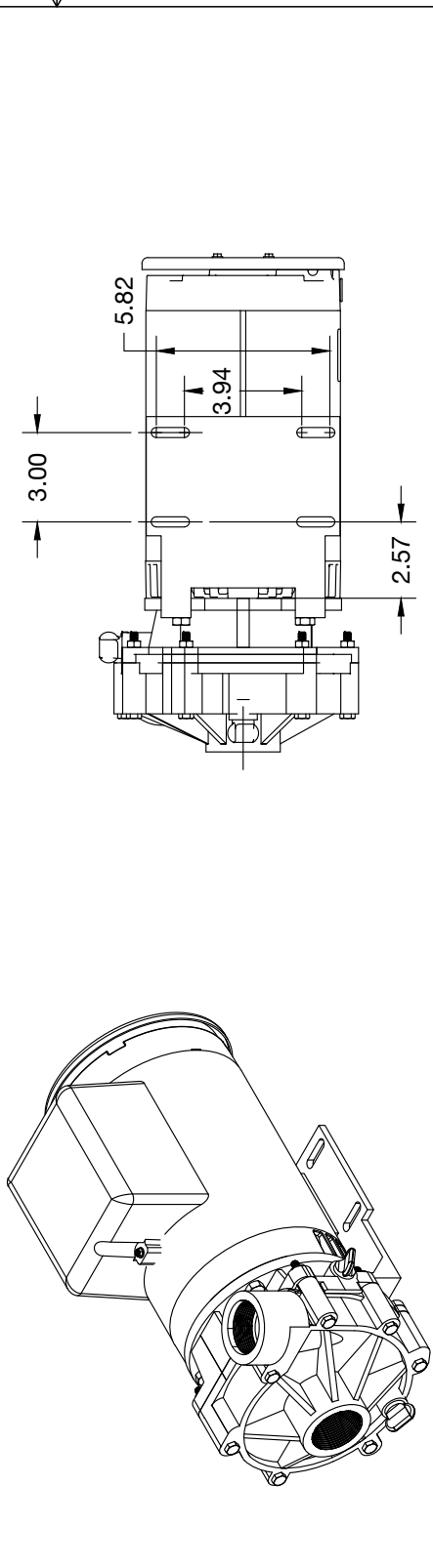
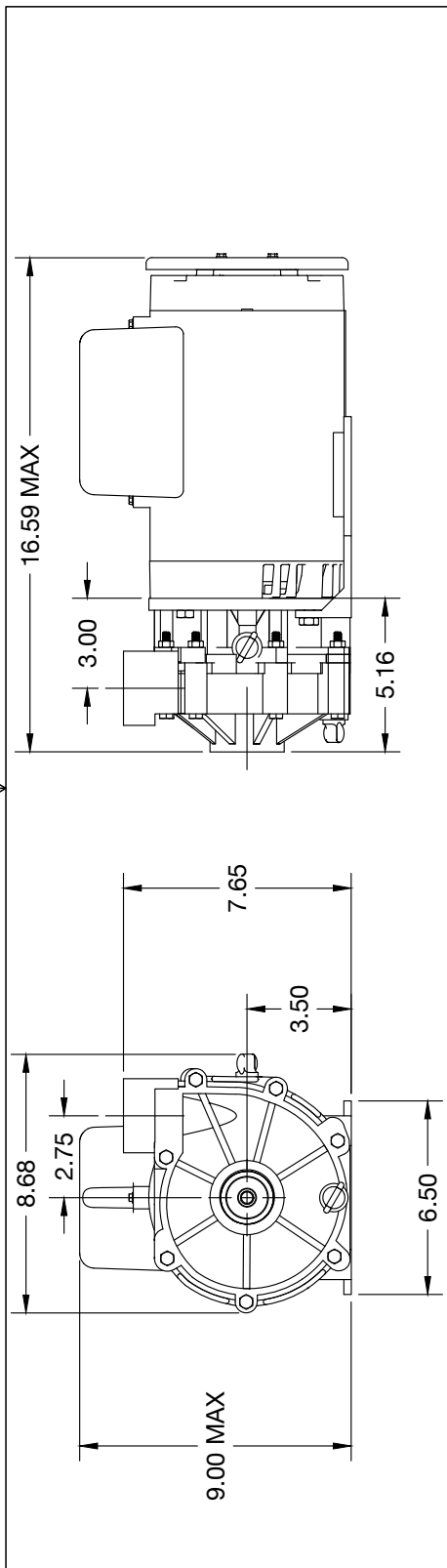
### Pump:

Series: Cascade High Speed  
Pump Model: C1  
Design: Flooded Suction  
Inlet: 1.5 inch  
outlet: 1.5 inch  
Impeller: CN1  
Trim: 4.65  
Fluid: Water

### Motor:

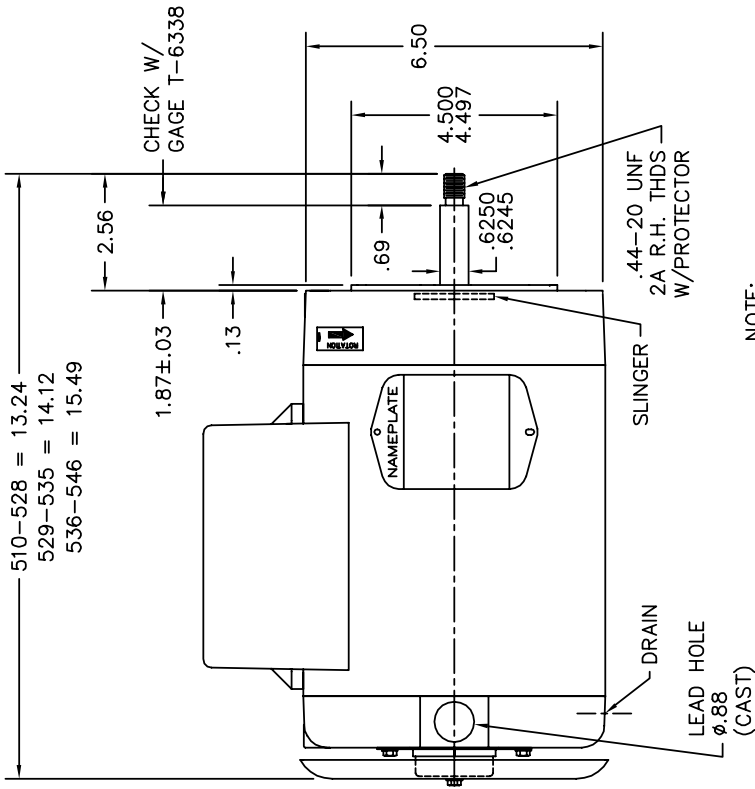
Motor Number: CPM-124  
Manufacturer: Baldor  
Rated HP: 1.00  
Total HP: 1.40  
Speed: 3450  
Enclosure: ODP  
Frame: 56J (Jet Pump)  
Volts: 115/230  
Phase: 1  
Frequency: 60  
Amps At Total HP: 13.2/6.6



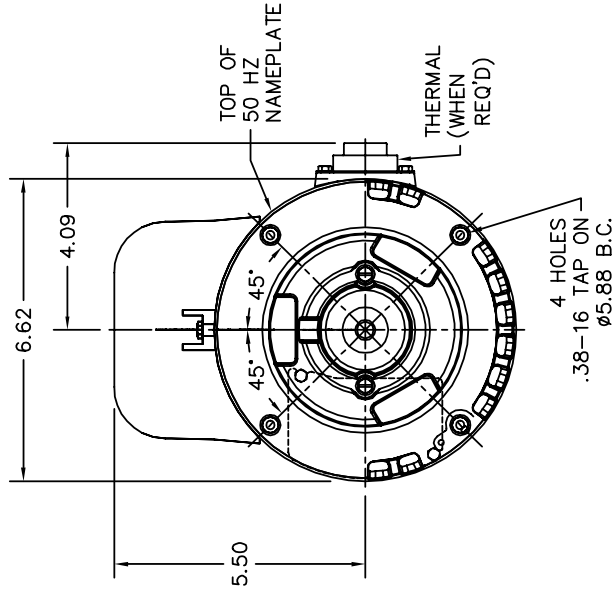


<b>PerformancePro</b> <small>PROUDLY BUILT IN THE USA SINCE 2000</small>		<b>Cascade High Speed</b>	
<b>PUMPS</b>		T.H.P.: 0.6HP THRU 2.5HP	
Greg Gent	1:5	3/29/21	C1D001412
			00

35LYE1633



NOTE:  
 SHAFT - CUT THDS ONLY.  
 NO ROLLED THDS PER  
 CUSTOMER REQ.



35LYE1633

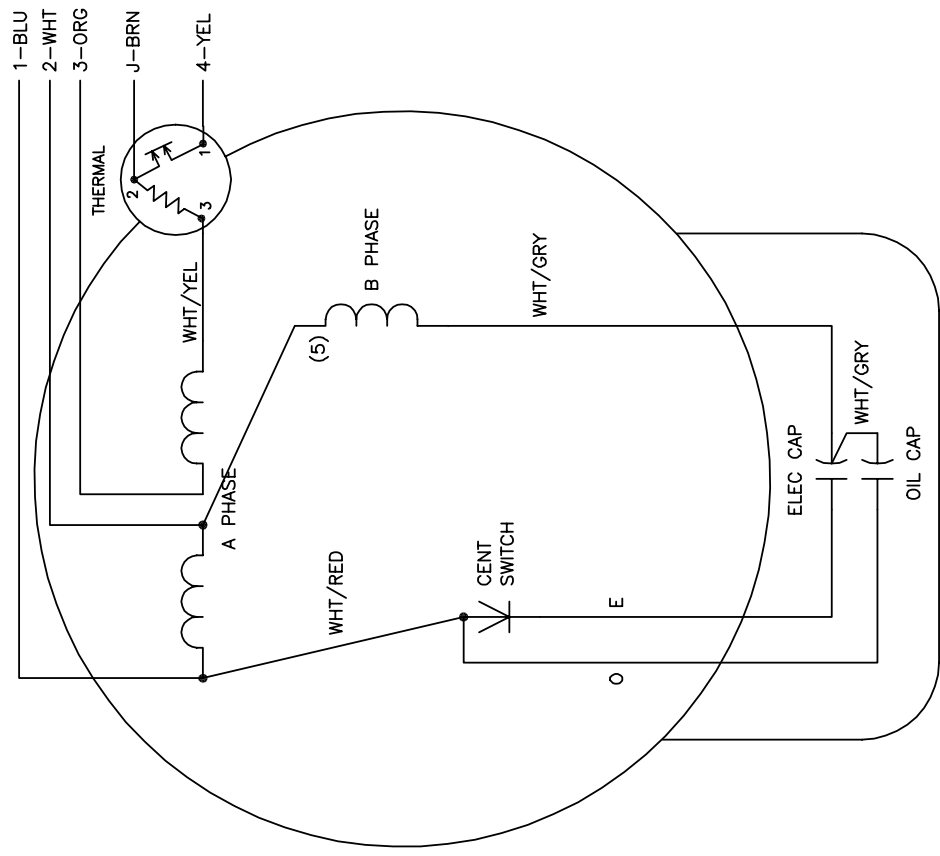
CUSTOMER IS RESPONSIBLE FOR DETERMINING THAT BALDOR'S PRODUCT WILL PERFORM SUITABLY IN THE INTENDED APPLICATION.

REV. LTR: B		VERSION: 02		TDR: 000001120701	
FILE: \AAA\00195\802		REVISED: 01:31:21 09/19/2019		BY: ENMNBO	
MTL: -				SH 1 of 1	

**BALDOR - RELIANCE®**

VERT OPEN 56J 35LC W/TERM PLATE, DRP CVR, 2 NP, CUT THDS

CD0308



	LINE A	LINE B	JOIN	JOIN
HIGH	1	4	2,3	J
LOW	1,3	4	-	2,J

NOTES:

1. CONNECTIONS ARE SHOWN FOR CCW ROTATION FACING END OPPOSITE SHAFT EXTENSION (STD). FOR CW ROTATION, INTERCHANGE 5 AND 8 INTERNALLY.
2. MULTIPLE CAPACITORS ARE CONNECTED IN PARALLEL UNLESS OTHERWISE SPECIFIED.
3. LEAD COLORS ARE OPTIONAL. LEADS MUST ALWAYS BE NUMBERED AS SHOWN.

CD0308

**BALDOR ELECTRIC Co.**

TYPE LC, DV, FIX, THERMAL, B PH AMPS THRU HTR, 5 LEADS

REV. DESC: ADDED CM PLANT CODE ONLY

REV. LTR: E BY: TWD REVISED: 09:39:48 10/24/2001 TDR: 253023

FILE: AAA0007481 REF: CD0308

805000 MTL: -