

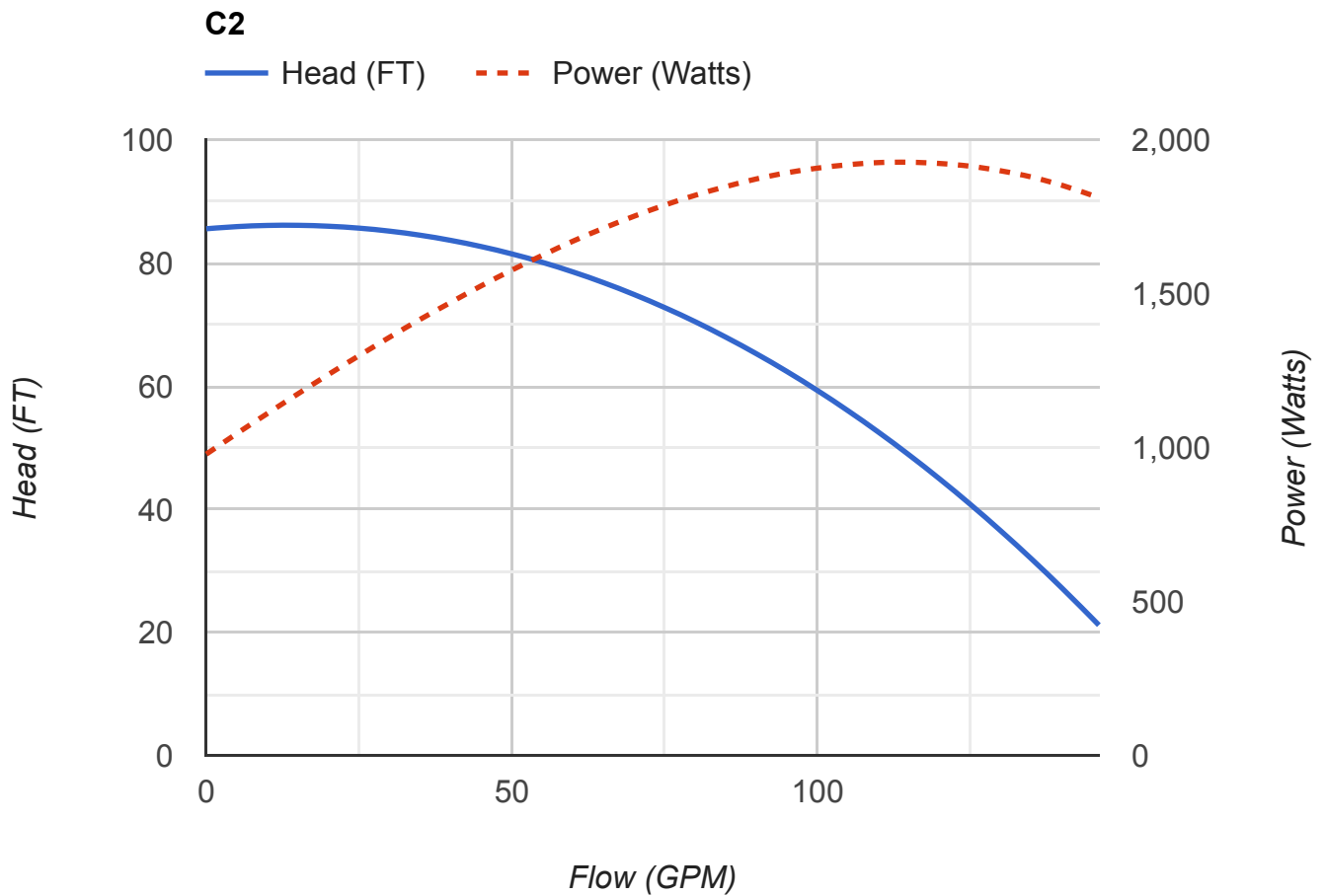
PerformancePro Pumps Engineering Data Packet

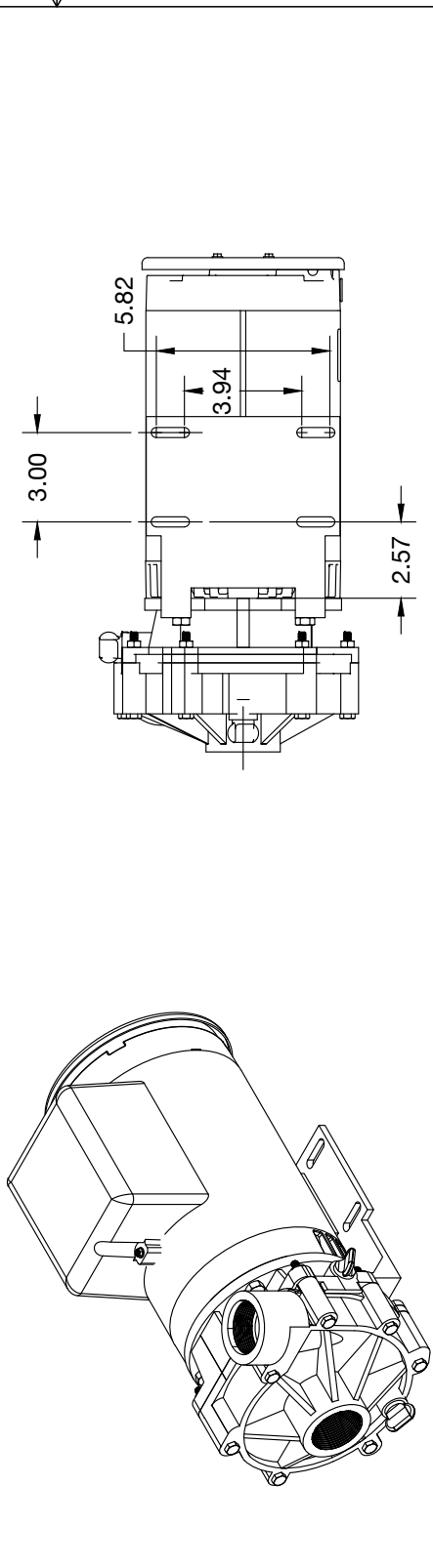
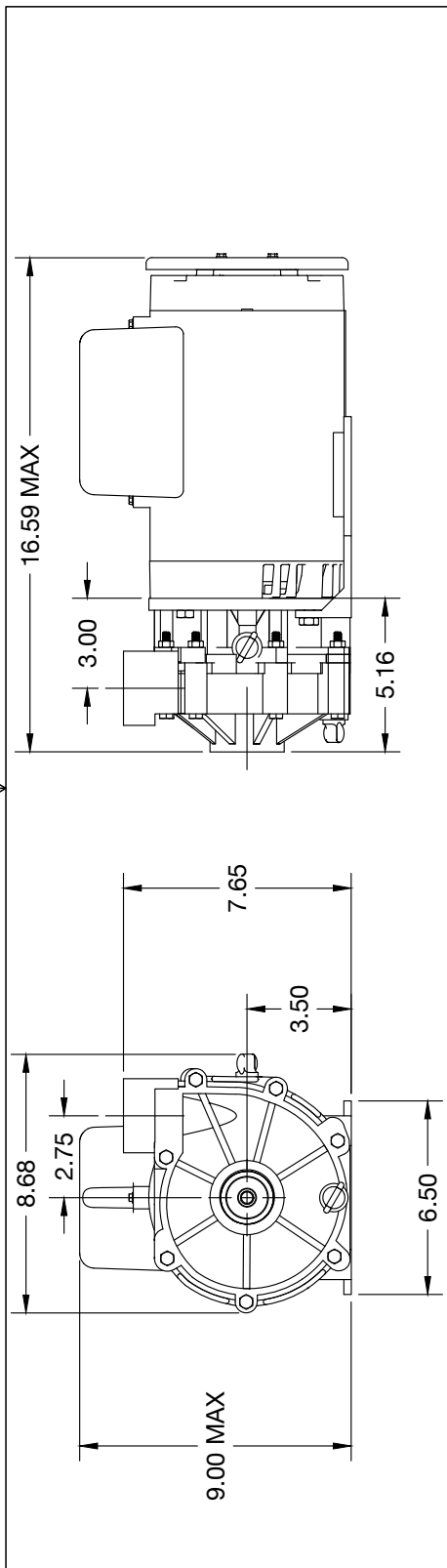
Pump:

Series: Cascade High Speed
Pump Model: C2
Design: Flooded Suction
Inlet: 1.5 inch
outlet: 1.5 inch
Impeller: CN2
Trim: 4.80
Fluid: Water

Motor:

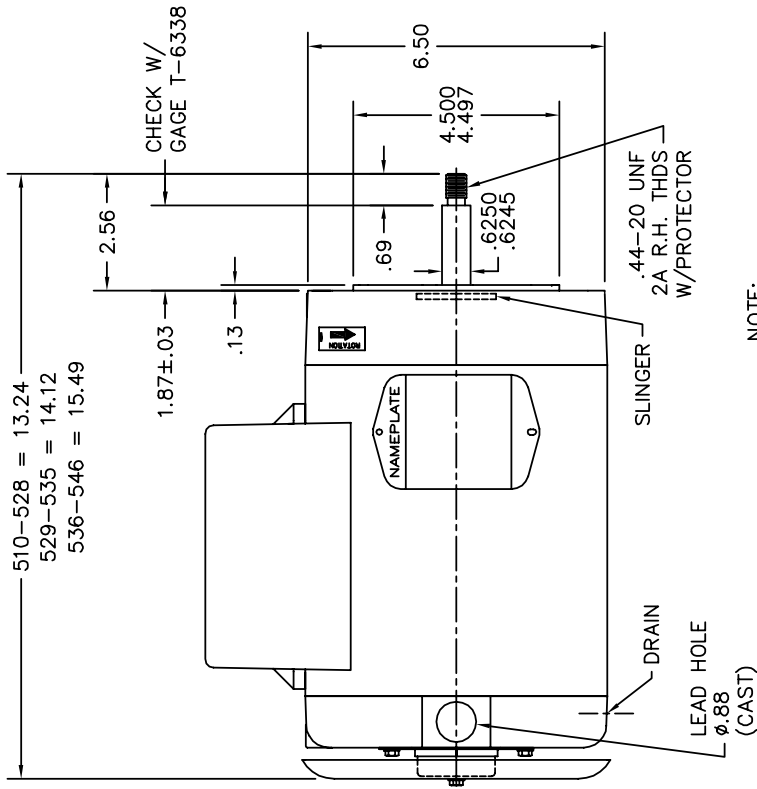
Motor Number: CPM-126
Manufacturer: Baldor
Rated HP: 2.00
Total HP: 2.50
Speed: 3450
Enclosure: ODP
Frame: 56J (Jet Pump)
Volts: 115/230
Phase: 1
Frequency: 60
Amps At Total HP: 21.6/10.8



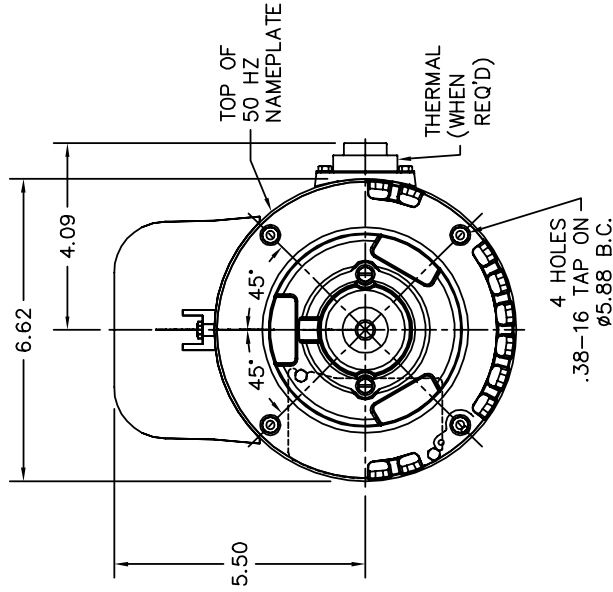


PerformancePro <small>PROUDLY BUILT IN THE USA SINCE 2000</small>		Cascade High Speed	
PUMPS		T.H.P.: 0.6HP THRU 2.5HP	
Greg Gent	1:5	3/29/21	C1D001412
			00

35LYE1633



NOTE:
SHAFT - CUT THDS ONLY.
NO ROLLED THDS PER
CUSTOMER REQ.

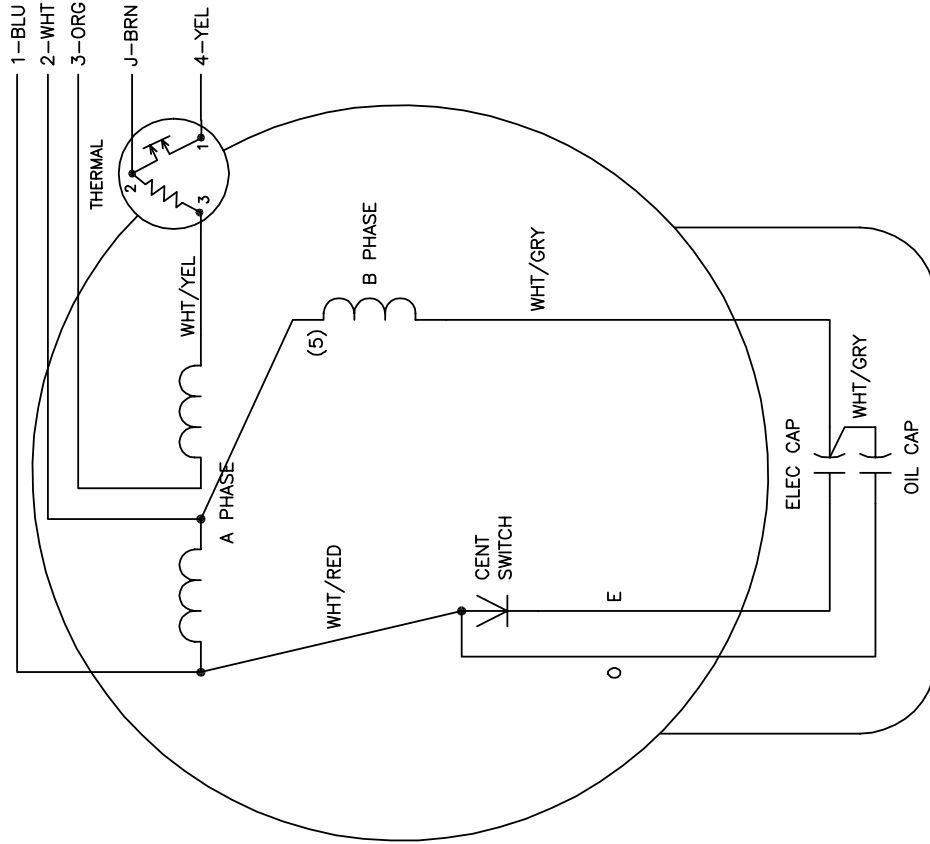


35LYE1633

CUSTOMER IS RESPONSIBLE FOR DETERMINING THAT BALDOR'S PRODUCT WILL PERFORM SUITABLY IN THE INTENDED APPLICATION.

REV. LTR: B		VERSION: 02		TDR: 000001120701	
FILE: \AAA\00195\802		REVISED: 01:31:21 09/19/2019		BY: ENMNBO	
MTL: -				◎	
BALDOR - RELIANCE®			VERT OPEN 56J 35LC W/TERM PLATE, DRP CVR, 2 NP, CUT THDS		
			SH 1 of 1		

CD0308



NOTES:

1. CONNECTIONS ARE SHOWN FOR CCW ROTATION FACING END OPPOSITE SHAFT EXTENSION (STD). FOR CW ROTATION, INTERCHANGE 5 AND 8 INTERNALLY.
2. MULTIPLE CAPACITORS ARE CONNECTED IN PARALLEL UNLESS OTHERWISE SPECIFIED.
3. LEAD COLORS ARE OPTIONAL. LEADS MUST ALWAYS BE NUMBERED AS SHOWN.

CD0308

REV. DESC: ADDED CM PLANT CODE ONLY

REV. LTR: E BY: TWD REVISED: 09:39:48 10/24/2001 TDR: 253023

FILE: AAA0007481 REF: CD0308

MTL: -

805000

BALDOR ELECTRIC Co.

TYPE LC, DV, FIX, THERMAL, B PH AMPS THRU HTR, 5 LEADS