

## PerformancePro Pumps Engineering Data Packet

### Pump:

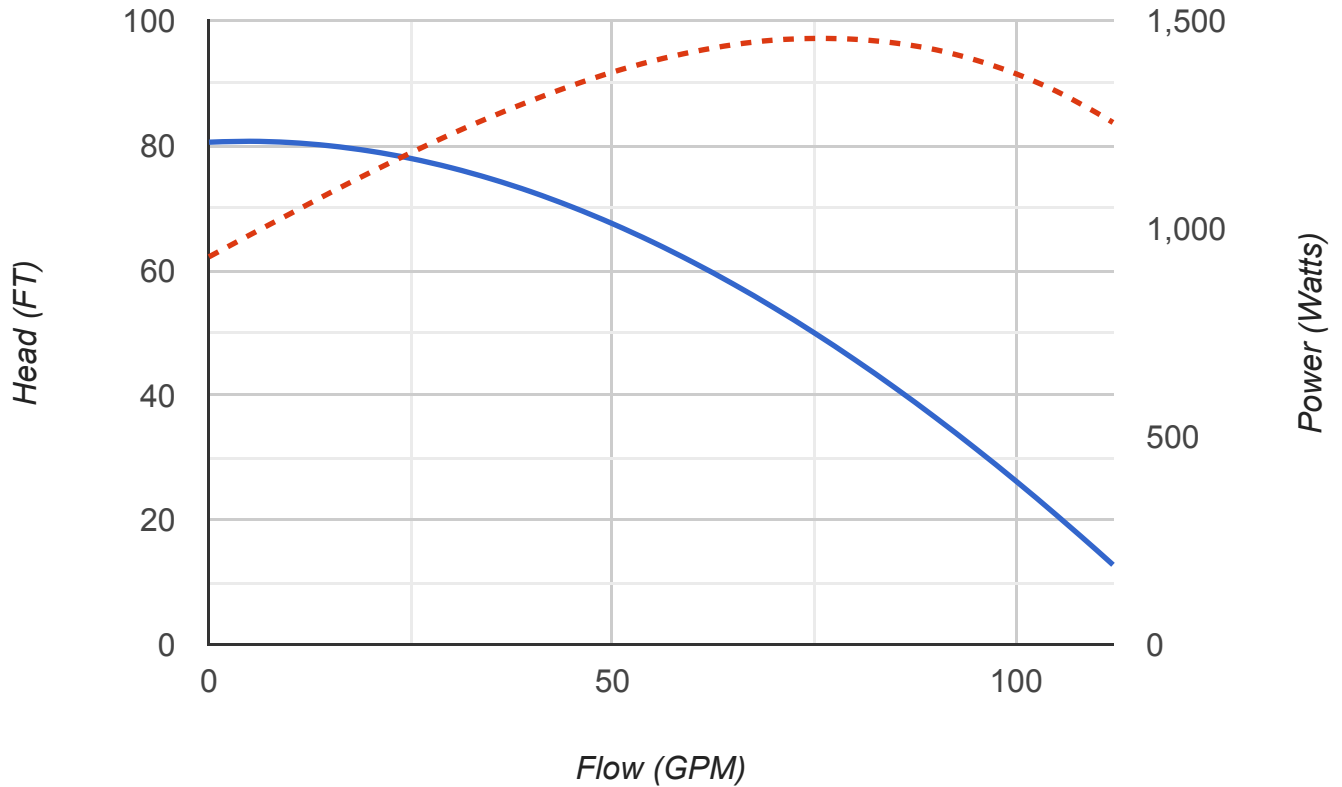
Series: Cascade High Speed  
Pump Model: C11/2  
Design: Flooded Suction  
Inlet: 1.5 inch  
outlet: 1.5 inch  
Impeller: CN11/2  
Trim: 4.80  
Fluid: Water

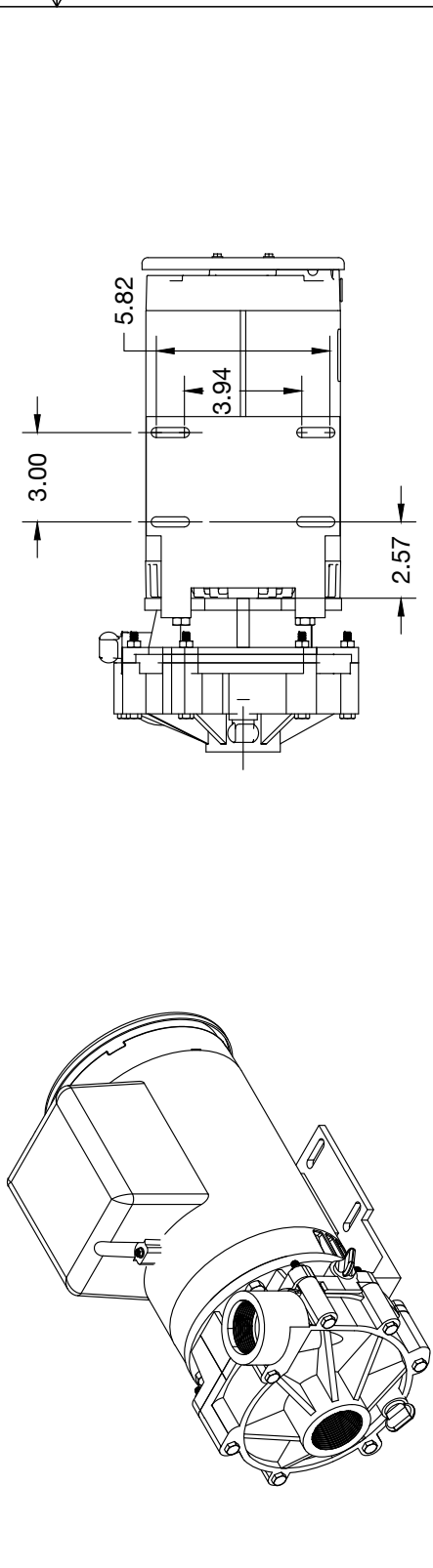
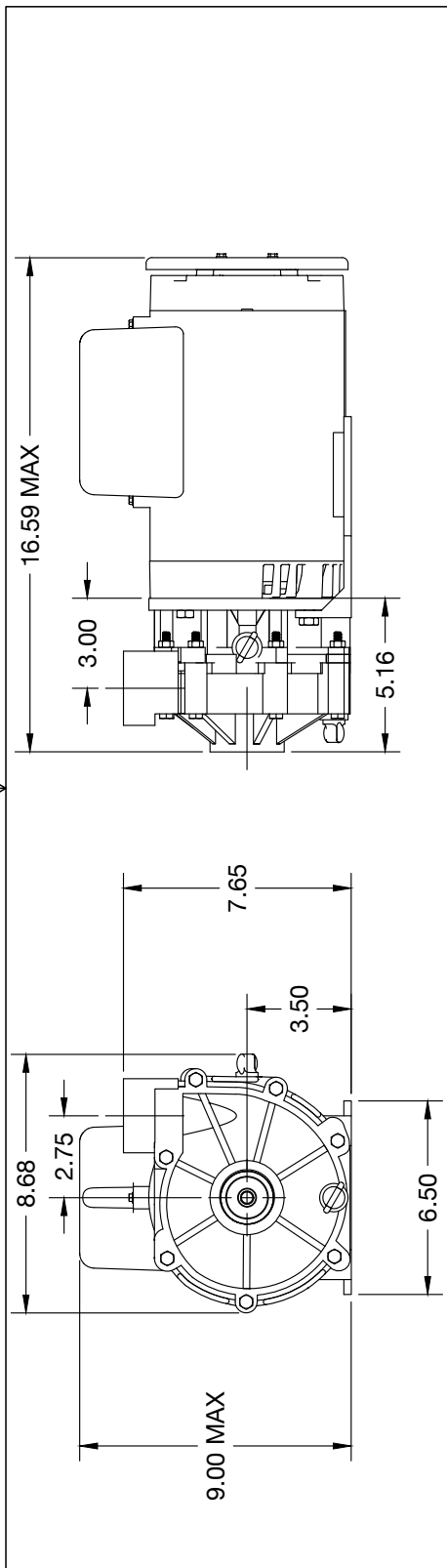
### Motor:

Motor Number: CPM-125  
Manufacturer: Baldor  
Rated HP: 1.50  
Total HP: 1.95  
Speed: 3450  
Enclosure: ODP  
Frame: 56J (Jet Pump)  
Volts: 115/208-230  
Phase: 1  
Frequency: 60  
Amps At Total HP: 16.6/9-8.3

### C11/2

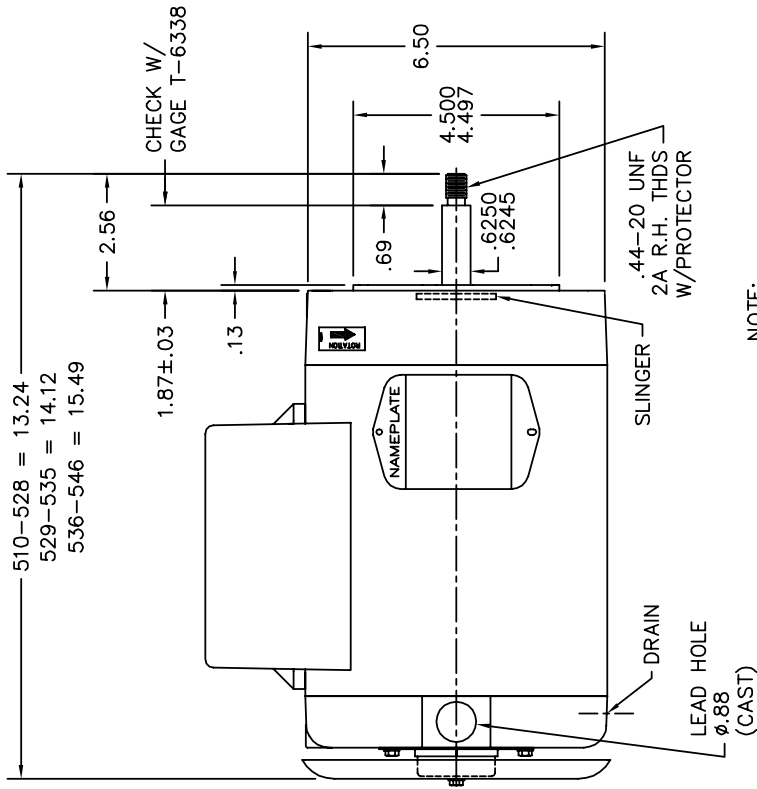
— Head (FT)    - - - Power (Watts)



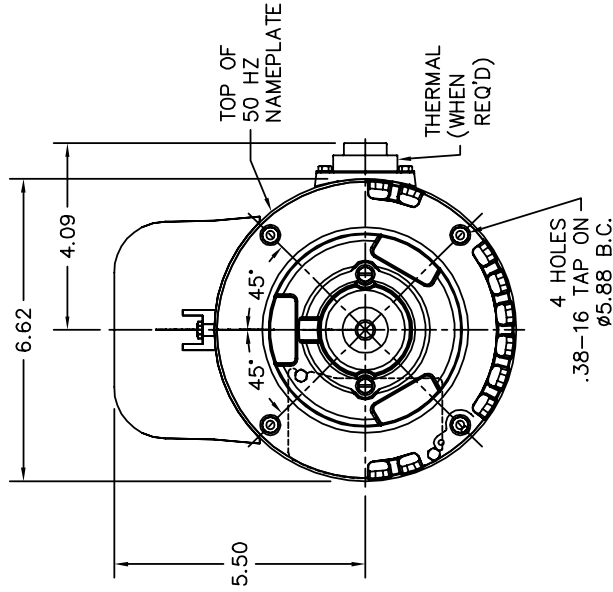


<b>PerformancePro</b> <small>PROUDLY BUILT IN THE USA SINCE 2000</small>		<b>Cascade High Speed</b>	
<b>PUMPS</b>		T.H.P.: 0.6HP THRU 2.5HP	
Greg Gent	1:5	3/29/21	C1D001412
			00

35LYE1633



NOTE:  
 SHAFT - CUT THDS ONLY.  
 NO ROLLED THDS PER  
 CUSTOMER REQ.



35LYE1633

CUSTOMER IS RESPONSIBLE FOR DETERMINING THAT BALDOR'S PRODUCT WILL PERFORM SUITABLY IN THE INTENDED APPLICATION.

REV. LTR: B		VERSION: 02		TDR: 000001120701	
FILE: \AAA\00195\802		REVISED: 01:31:21 09/19/2019		BY: ENMNBO	
MTL: -				SH 1 of 1	

**BALDOR - RELIANCE®**

VERT OPEN 56J 35LC W/TERM PLATE, DRP CVR, 2 NP, CUT THDS

